

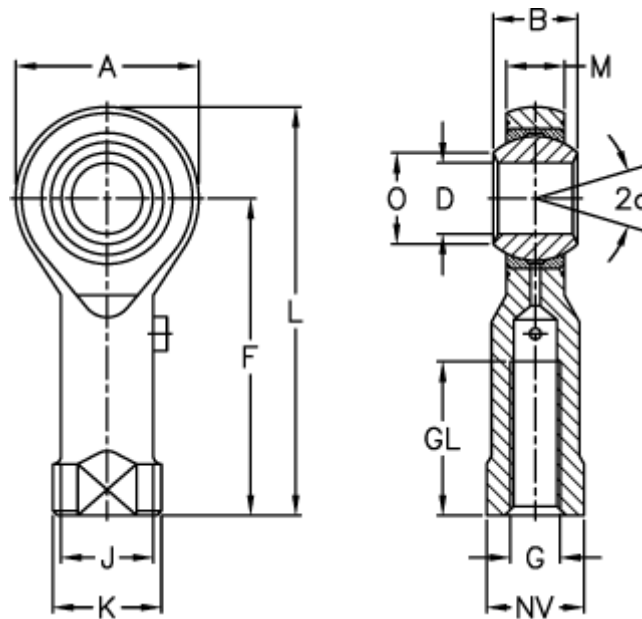
# Data Sheet



Article number: 03005016

Description: Fluro Rod End GIXS 16  
Zinc Plated

## Measures



|                     |        |                     |        |                  |
|---------------------|--------|---------------------|--------|------------------|
| A                   | = 42   | J                   | = 22   | Weight (g) = 230 |
| a (degrees)         | = 15   | K                   | = 27   |                  |
| B                   | = 21   | L                   | = 85   |                  |
| D                   | = 16   | M                   | = 15   |                  |
| Dynamic load C (kN) | = 21.5 | NV                  | = 22   |                  |
| F                   | = 64   | O                   | = 19.3 |                  |
| G                   | = M16  | Permissible rpm     | = 660  |                  |
| GL                  | = 28   | Static load C0 (kN) | = 67.5 |                  |